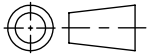
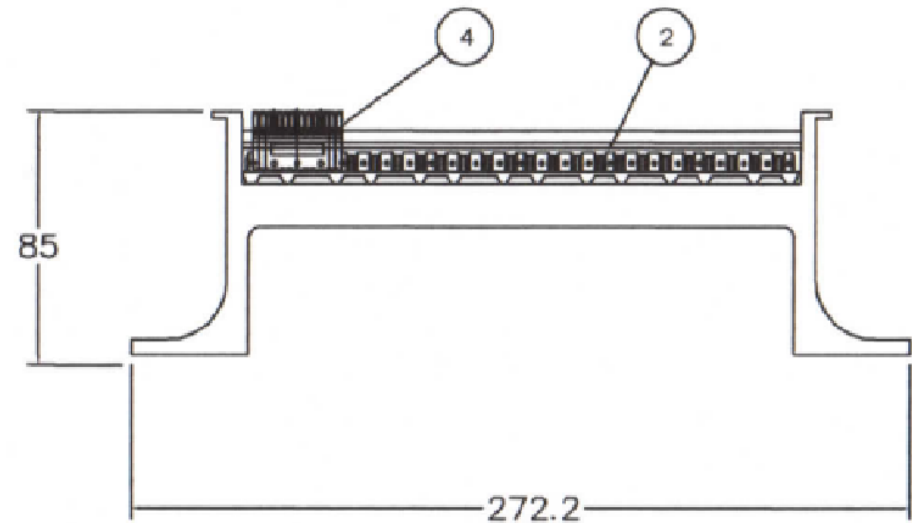
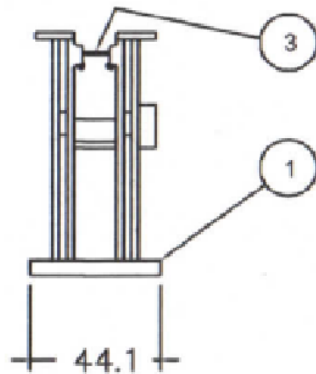
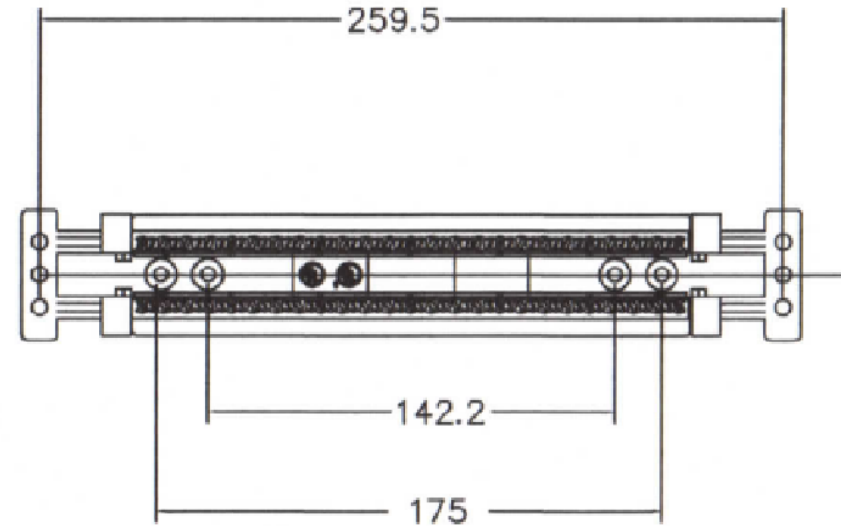


SW2014



Revision level			Revision Record	Changed	Date	Approved	Date
Drawing	State	Part					
.			SEE ECN# 01354	SNH	6/24/2015	KAC	6/24/2015

ITEM	DESCRIPTION	QTY	P/N
1	48 PR BASE WITH LEG	1	LP1340
2	24 PR INSERT	2	LP1019
3	INDEX HOLDER	1	110PH
4	110-CAT6 CONNECTING CLIP 610C-4 Connecting Clip not included	12	610C-4



Material
PC

Units: **millimeters**
 Dimension without tolerances details to:
 .xxx = ±.013
 .xx = ±.13
 .x = ±.3
 None = ±.8
 < = ±0.5°
 Dimension Formatted mm/[in]

The copyright of this drawing is reserved by HellermannTyton. It is issued on condition that it is not reproduced, copied, or disclosed to a third party, either wholly or in part, without the consent of HellermannTyton.

Drawn	SNH	6/24/2015
Approved	KAC	

HellermannTyton
 North America
 Email: corp@htamericas.com
 Web: www.hellermann.tyton.com

Article/Type-No	T110WBL48
Title	CATEGORY 6 48 PAIR 110 WIRING BLOCK WITH LEGS
Drawing-No	15-0373-003-CSU

Scale	1:1
Project Number	PRP 15-0373
Format	AH
Sheet	1/1